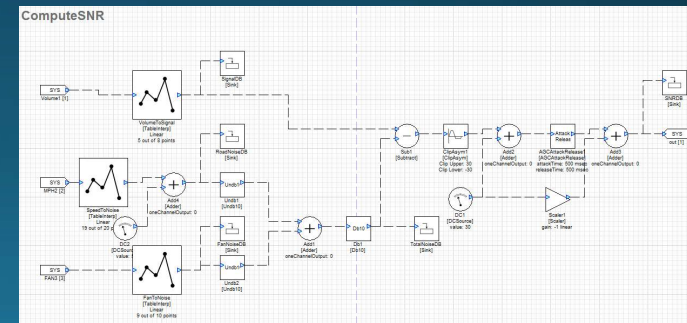
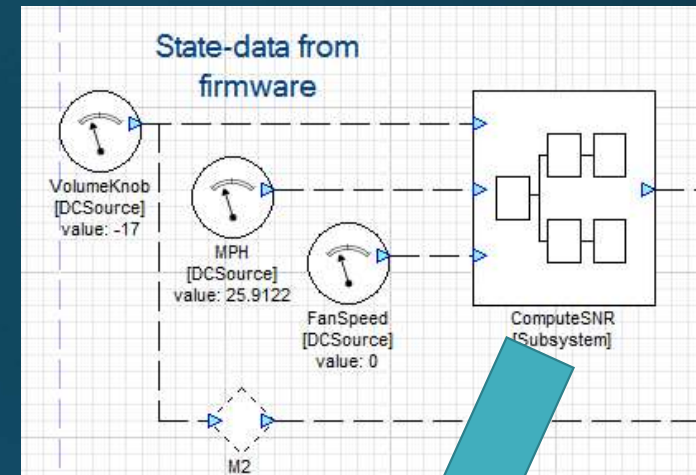




Subsystems

Subsystems

- Manage complexity of large systems
- Use the Subsystem module from the Module Browser
- Navigate in and out
- Opens a new tab on the top of the Designer window
- Add more pins, as required
- Subsystems are flattened when the system is built – doesn't add any overhead

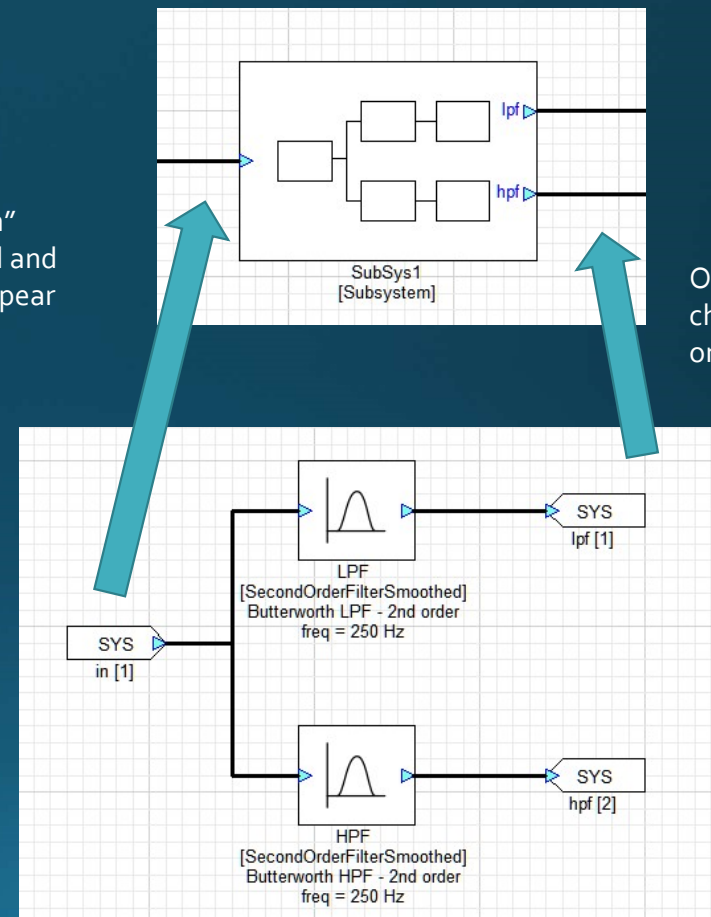


Subsystem Pins

- Input and output pins are numbered sequentially and correspond to the ordering on the upper level system
- Pins can be renamed
- Only renamed pins are labeled on the upper level system

Default name "in" was not changed and thus does not appear

Output names were changed and appear on top level system



Subsystem Navigation

- If you uncheck “Allow Navigation”, you will be prompted for a password and then subsystem will then be locked
- Use this to protect IP or limit access to parts of a system

